



More Precision

thermoMETER // Non-contact infrared temperature sensors





thermoMETER CSmicro 2W

Miniature OEM two-wire IR temperature sensor with controller integrated in the cable

- Measuring range from -40 °C to 1030 °C
- Applicable in ambient temperatures up to 180 °C without cooling (sensor)
- Robust, silicon-coated lens
- Integrated controller with LED alarm display and intelligent sighting aid, alarm signal, temperature-code display or self-diagnostics
- Integrated controller in the cable
- Scalable analog output and simultaneous alarm output
- Protection against short circuit and polarity change
- Programmable controller
- Optional USB interface and software for programming
- Best price - ideal for OEM applications

Optical specifications thermoMETER CSmicro 2W

□ = smallest spot size / focal point (mm)

Standard Focus										
SF15	15:1	6.5	11.6	16.6	21.7	26.7	35	43.3	51.6	59.9
SF22	22:1	6.5	10.5	14.4	18.4	22.3	26.3	30.2	34.2	38.1
	distance in mm	0	100	200	300	400	500	600	700	800
Close Focus (with optionally available CF lens)										
CF15	15:1	7	3.9	0.8	4.7	8.6	12.5	16.4	20.3	24.2
CF22	22:1	7	3.8	0.6	4.4	8.2	12	15.8	19.6	23.4
	distance in mm	0	5	10	15	20	25	30	35	40

Model	CSmi2W-SF15-C1	CSmi2W-SF22H-C1
Optical resolution	15:1	22:1
Temperature range	-40 °C to 1030 °C ¹⁾	
Spectral range	8 to 14 μm	
System accuracy	±1.0 % or ±1.0 °C ³⁾	
Repeatability	±0.5 % or ±0.5 °C ³⁾	
Temperature coefficient	±0.05 °C/°C or ±0.05 % °C ⁴⁾	
Temperature resolution	0.1 °C ⁵⁾	
Response time (90 %)	30 ms	150 ms
Emissivity/Gain	0.100 to 1.100 ²⁾	
Transmissivity/gain ¹⁾	0.100 to 1.100	
Signal processing ¹⁾	peak hold, valley hold, average; extended hold function with threshold and hysteresis	
Dimensions of controller	length 35 mm; ø12 mm	
Outputs/analog	4 to 20 mA	
Max. loop resistance	1000 Ω ⁶⁾	
Outputs/alarm	0-30 V / 500 mA (open collector)	
Outputs/digital (optional)	mono-/bidirectional, 9.6 kBaud, 0/3 V level, alternative USB	
Inputs	programmable functional input for triggered signal output or peak hold function	
LED functions	alarm display, automatic aiming aid, self-diagnostics, temperature display (via temp. code)	
Cable length	1 m (standard length); 0.5 m between sensor and controller; 0.4 m between controller and terminal device	
Power supply	4...20 mA (5 to 30 VDC)	
Protection class	IP65 (NEMA-4) sensor head	
Ambient temperature	sensor: -20 °C to 120 °C controller: -20 °C to 75 °C	sensor: -20 °C to 180 °C controller: -20 °C to 75 °C
Storage temperature	-40 °C to 85 °C (sensor and controller)	
Relative humidity	10 to 95 %, non-condensing	
Vibration	IEC 68-2-6: 3 G, 11 to 200 Hz, any axis	
Shock	IEC 68-2-27: 50 G, 11 ms, any axis	
Weight	42 g	

¹⁾ adjustable via software

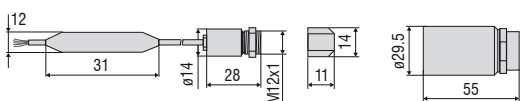
²⁾ adjustable via 0 to 5 VDC input or software

³⁾ ambient temperature 23 ± 5 °C; whichever is greater; object temperature ≥ 0 °C

⁴⁾ with object temperature < 100 °C; time constant from > 0.2 s

⁵⁾ with object temperature > 20 °C; time constant from > 0.2 s

⁶⁾ depends on supply voltage



Product identification

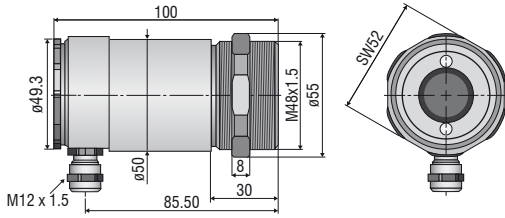
CSmi2W -	SF15-	C1
Cable length [1m (standard) / 3m / 8m / 15m]		
Focus [SF / CF]		
thermoMETER CSmi2W (TwoWire)		

Accessories page 32 - 35

- Ancillary CF lens
- Protective window
- Mounting bracket / mounting bolt
- Air purge collar
- Right angle mirror
- USB kit

CSLaser

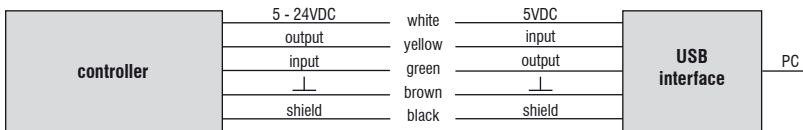
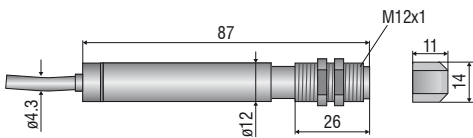
sensor



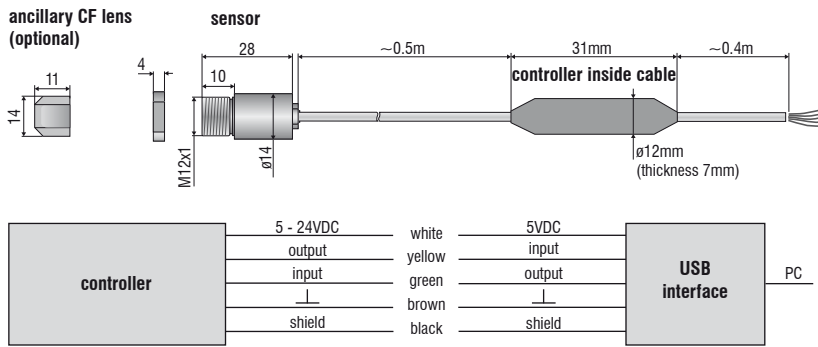
CS

sensor with integrated controller

ancillary CF lens (optional)



CSmicro / CSMicro 2W



Infrared thermal imagers from Micro-Epsilon



thermoIMAGER TIM Compact thermal imaging cameras for industrial temperature monitoring

- Temperature range from -20 °C to 1900 °C
- Ideal for OEM
- Real-time thermography using license-free software
- Protective housing for harsh environments
- Special variants for the glass, metal and plastics industries